

# Kontax Display Case Assembly Instructions

These instructions cover several different types of Kontax display cases.

The method of assembly is identical for all cases, the only difference between the cases is the sizes of the panels.

For reference, the case shown in the instructions below is the KS90 case.

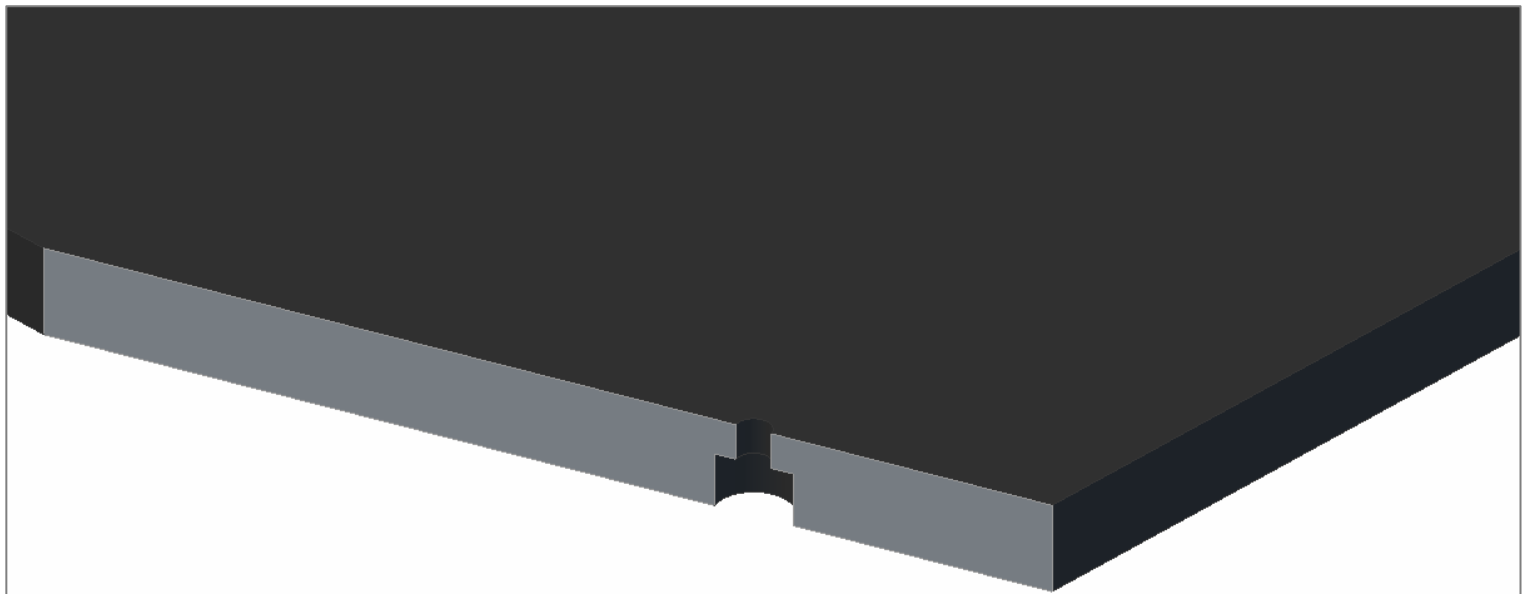
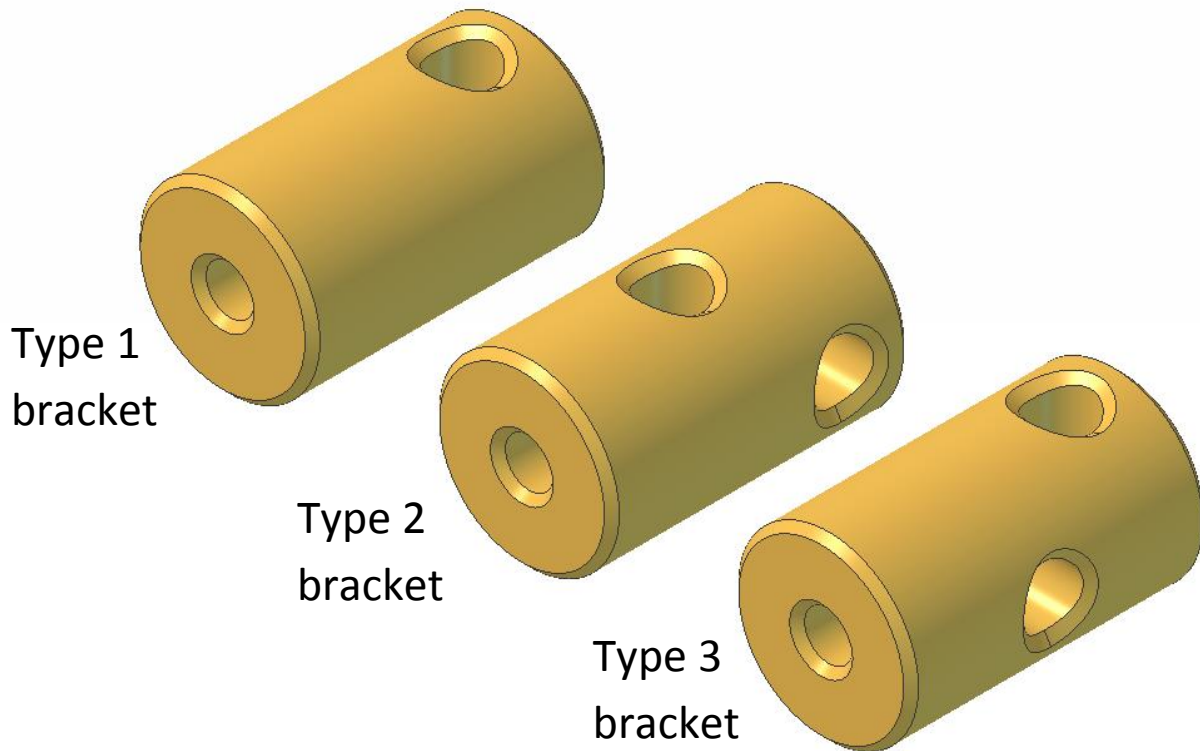
Contact details:

[www.stirlingengine.co.uk](http://www.stirlingengine.co.uk)

[Kontax@btconnect.com](mailto:Kontax@btconnect.com)

Tel: 01452 905001

There are three different types of brackets in this display case, all three are very similar. The differences can be seen below.



Note, the screw holes through the base plate are bigger on the underside of the plate (base plate shown cut-away above).

1. Peel the protective film away from the corners on the top edge of a Type A plate.

Screw two Type 1 brackets to the plate.

The brackets will be 3mm from the top edge of the plate.

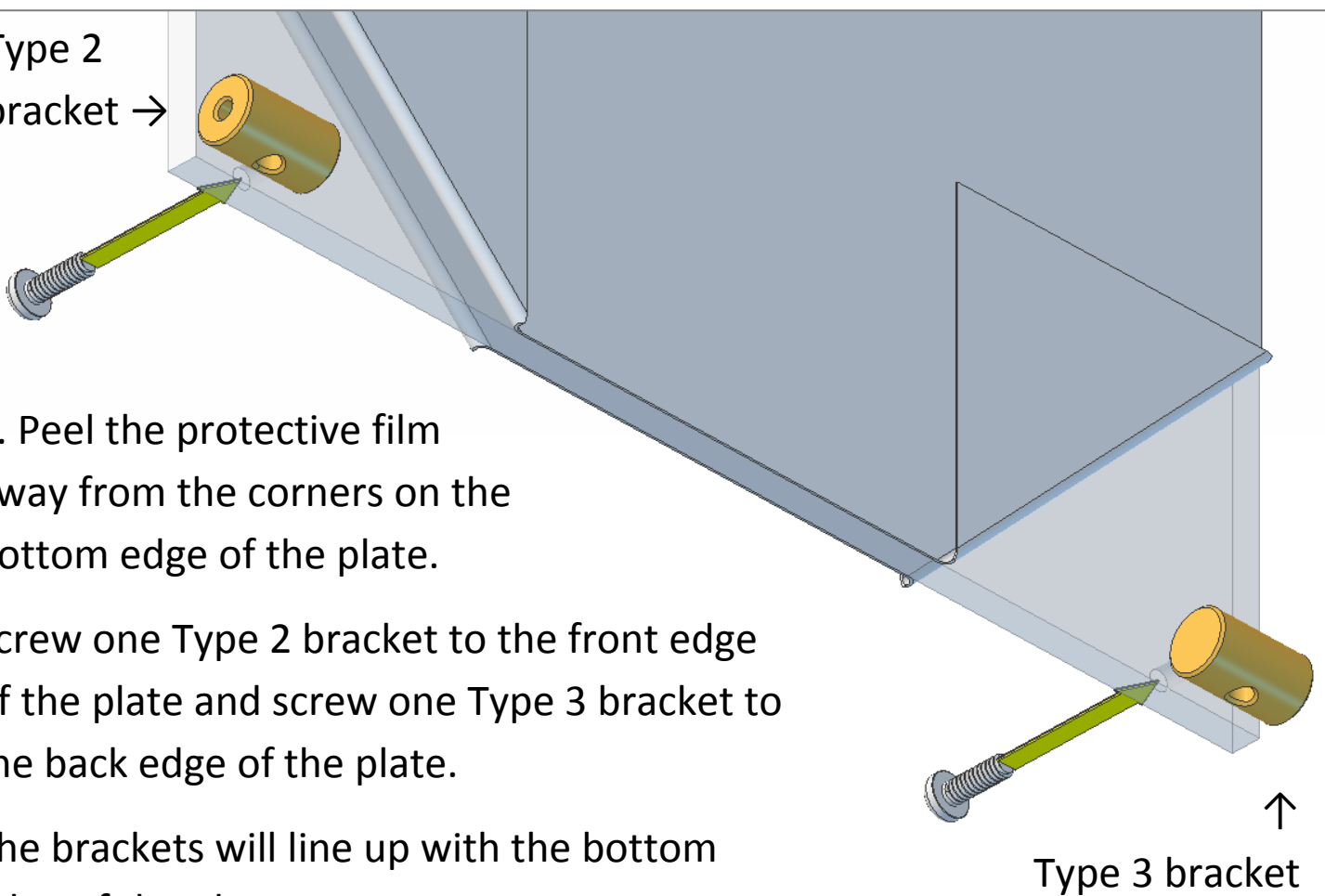


Type 2 bracket →

2. Peel the protective film away from the corners on the bottom edge of the plate.

Screw one Type 2 bracket to the front edge of the plate and screw one Type 3 bracket to the back edge of the plate.

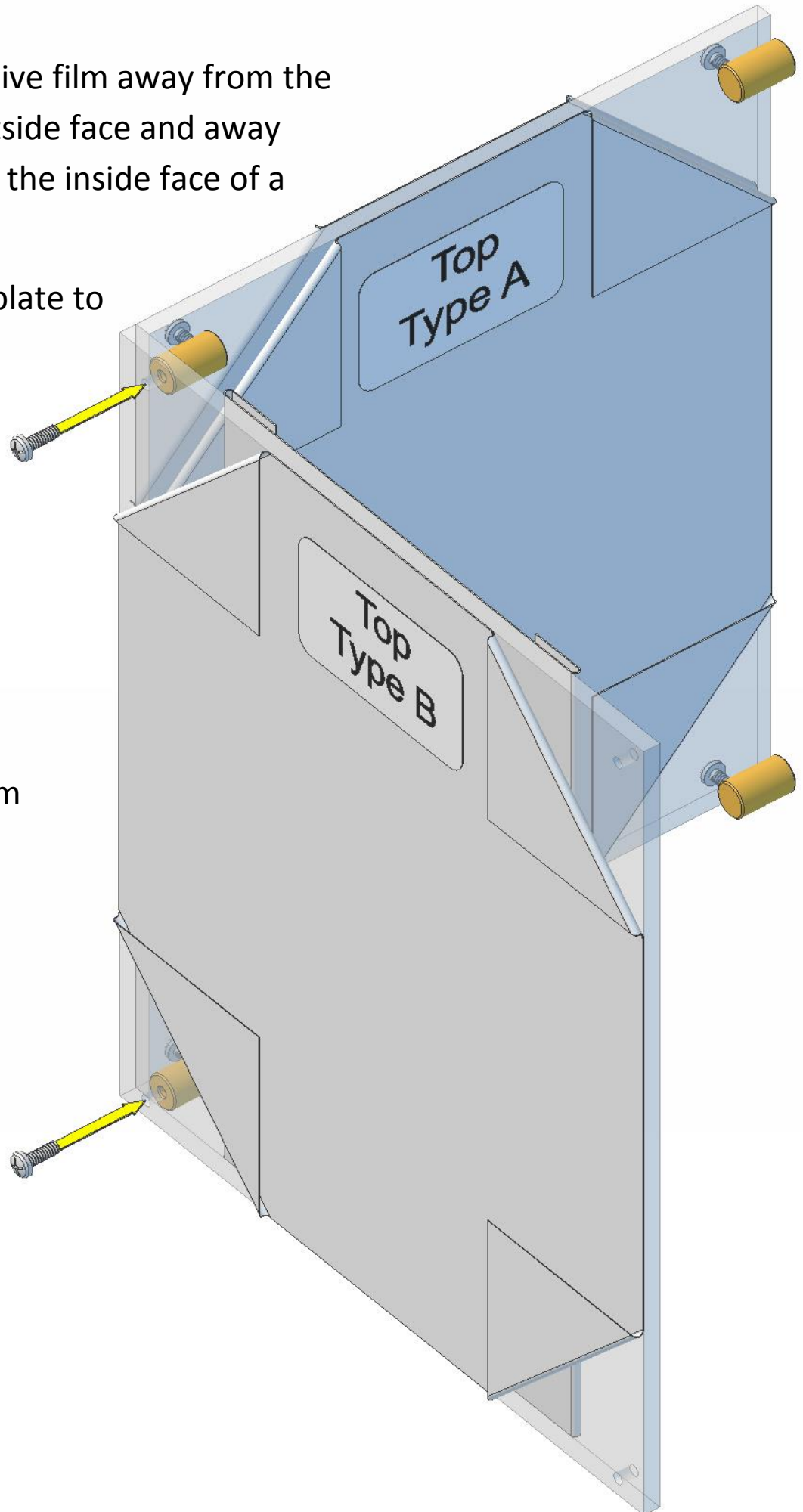
The brackets will line up with the bottom edge of the plate.



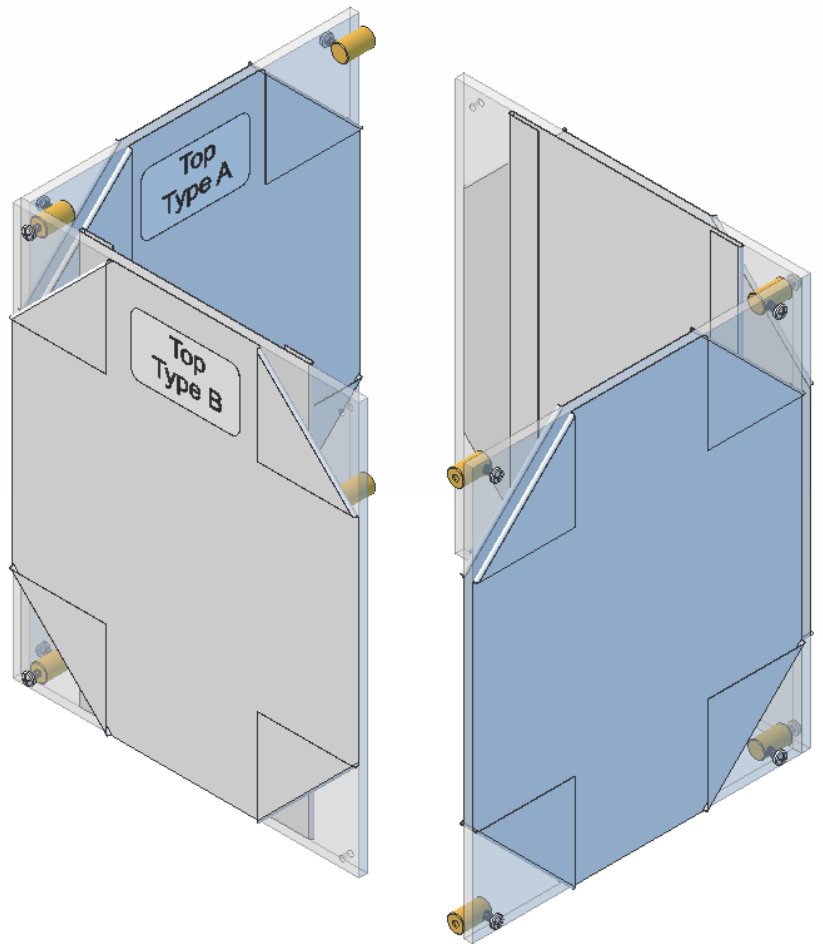
3. Peel the protective film away from the corners on the outside face and away from the edges on the inside face of a Type B plate.

Screw the Type B plate to the front edge of the Type A plate.

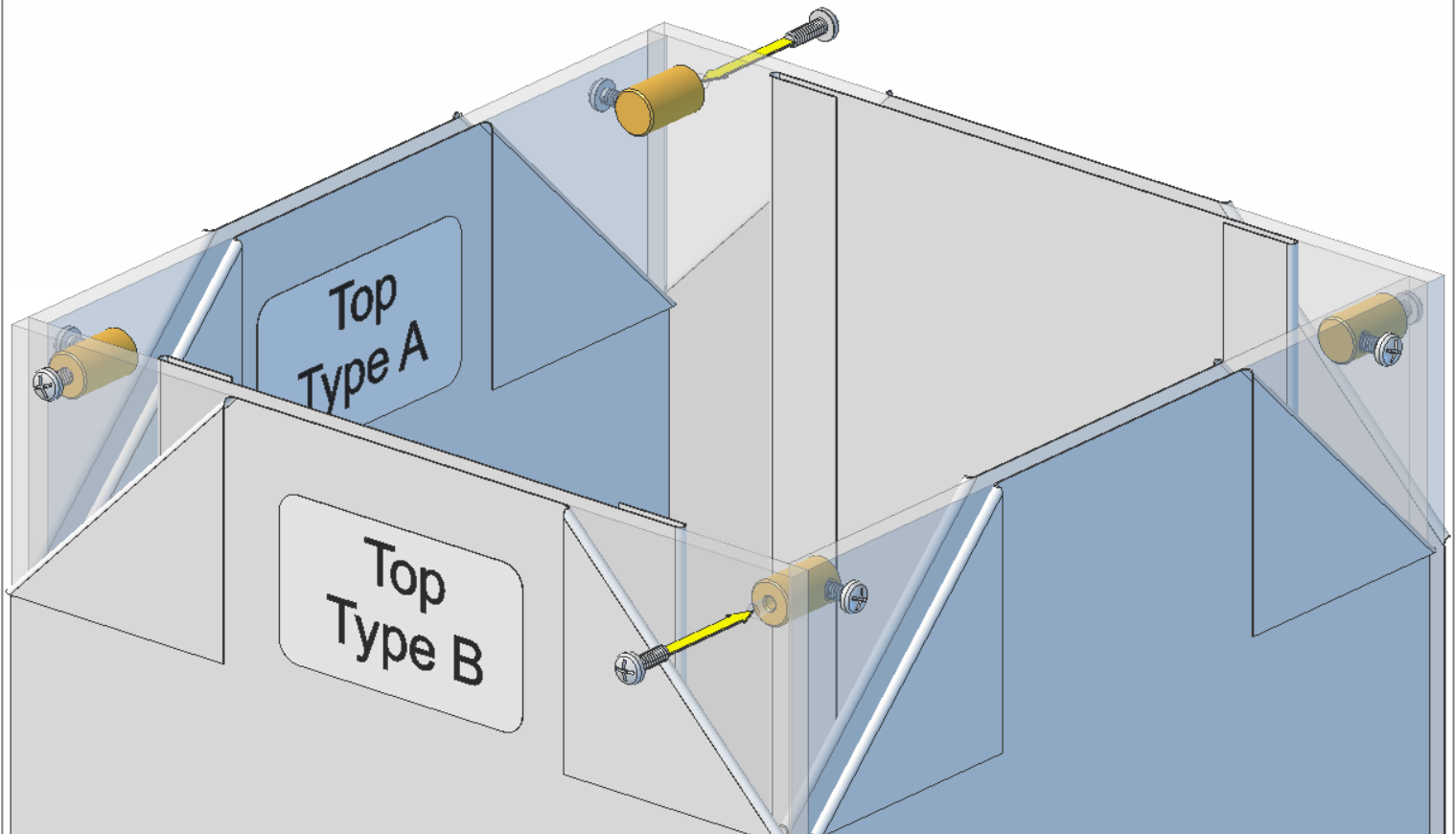
Make sure there is no protective film trapped between the plates.

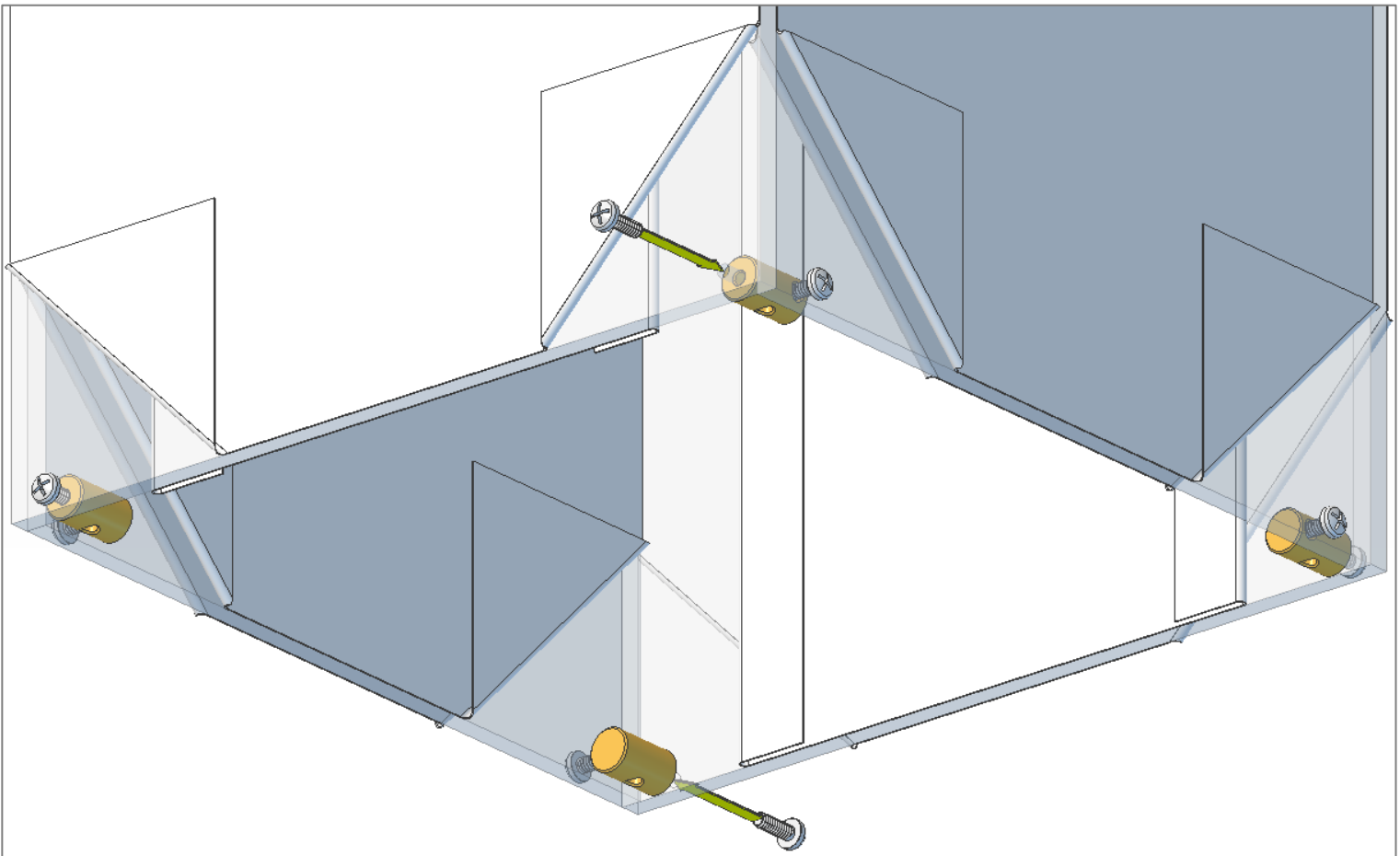


4. Repeat stages 1-3 for the other pair of plates. You should end up with two identical sections.



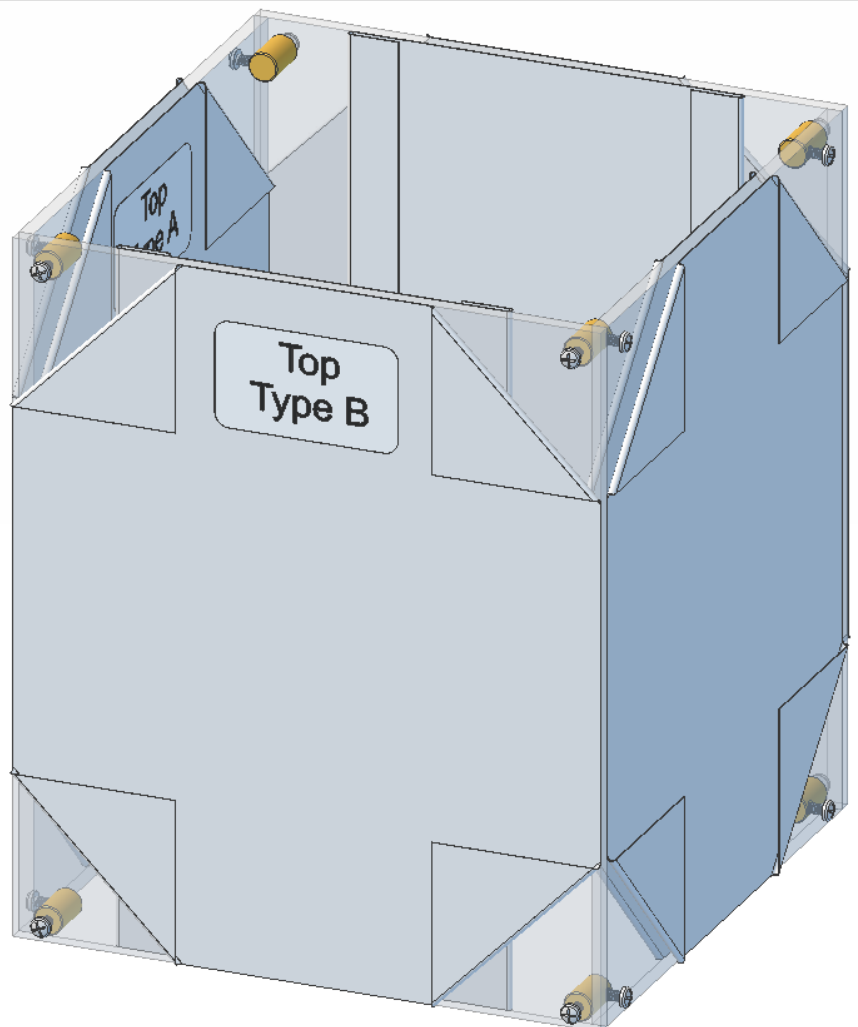
5. Screw the top corners of the two sections of the case together. Make sure there is no protective film trapped between the plates.

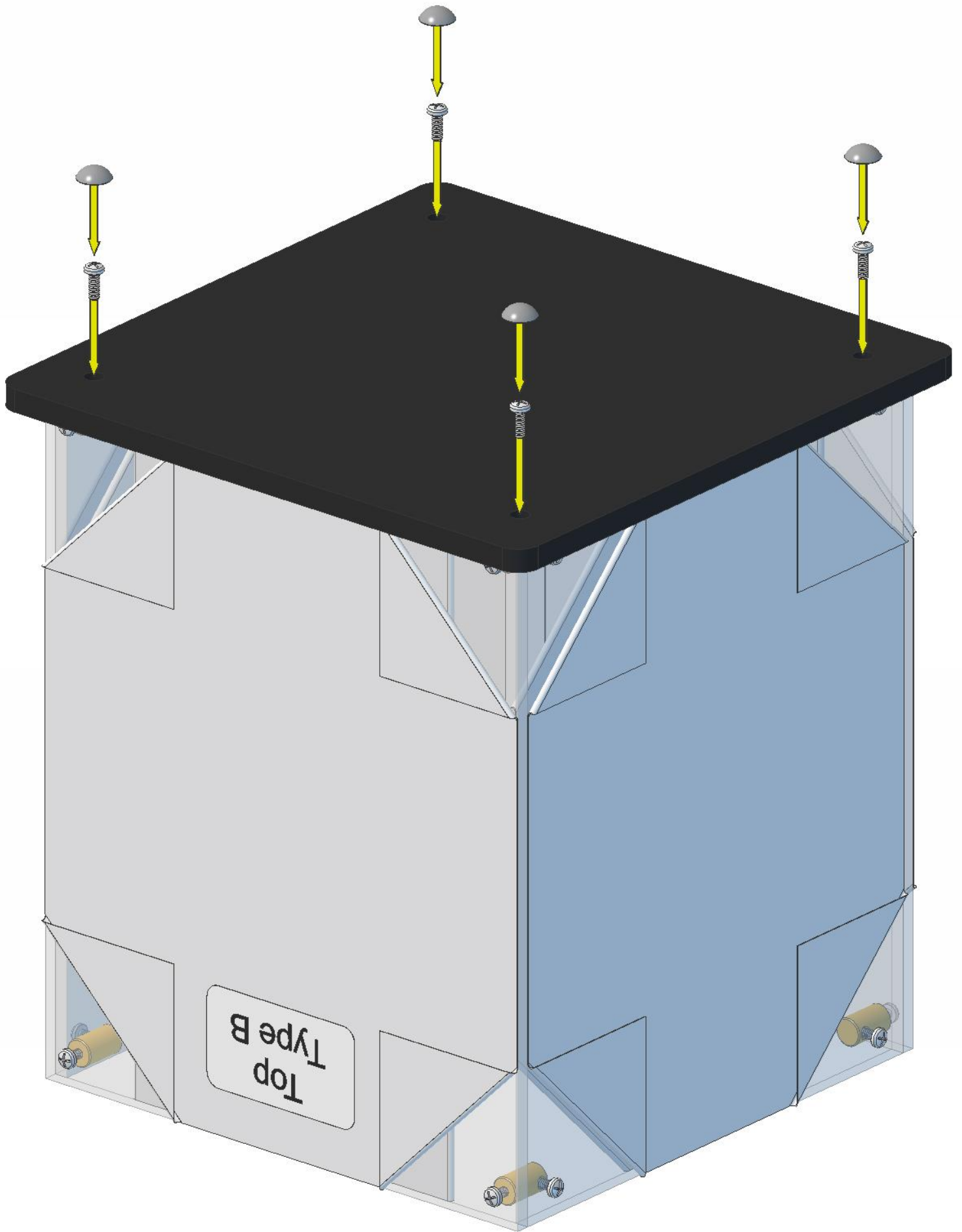




6. Screw the bottom corners of the two halves of the case together.

After you have  
screwed the two  
sections together  
your case should  
look like this.





7. Remove the protective film from both sides of the base plate. Turn the case upside down and screw the base to the sides. After all the screws are in fit the feet over the screw holes.



8. Remove the protective film from the top plate and screw the knob to the middle of the plate. Remove all the protective film from all the plates. Fit the top plate, your protective case is now fully assembled.